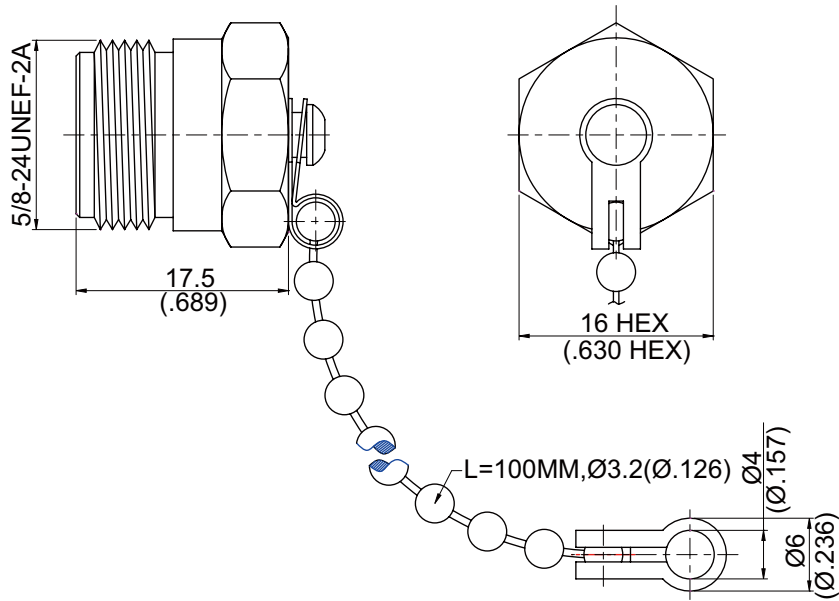


N8800-0000	N Jack Cap	50Ω
------------	------------	-----



Parts	Material	Plating (Micro-inch)
Free Reed	Brass	Tin-Zinc-Copper-Alloy 100 Over Copper 50
Chain Plate	Brass	Tin-Zinc-Copper-Alloy 100 Over Copper 50
Rivet	Brass	Tin-Zinc-Copper-Alloy 100 Over Copper 50
Body	Brass	Tin-Zinc-Copper-Alloy 100 Over Copper 50

Weight: 24.32 g

This part number complies with RoHS.

Notice: JYEBAO reserves the right to make modifications deemed appropriate.