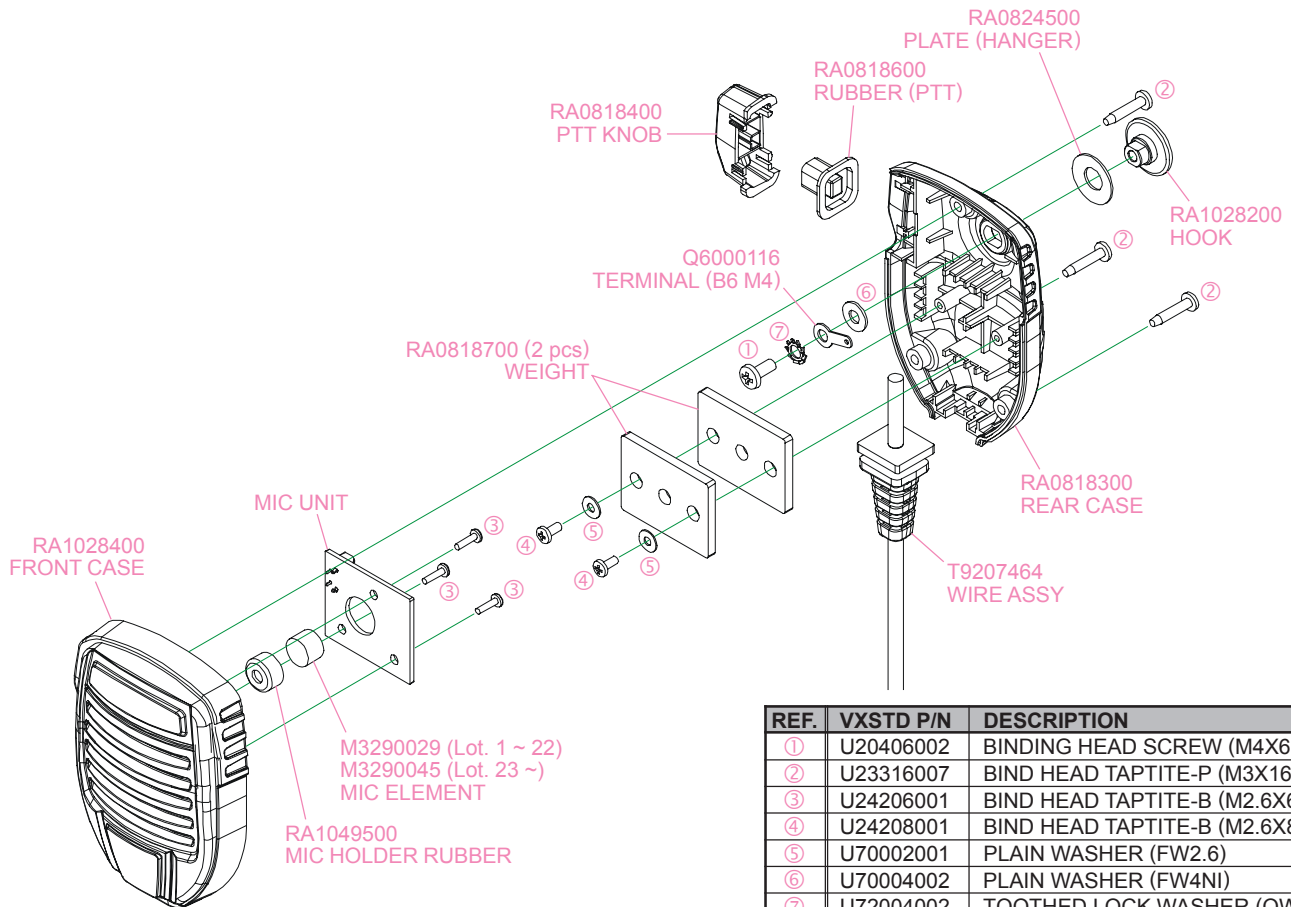
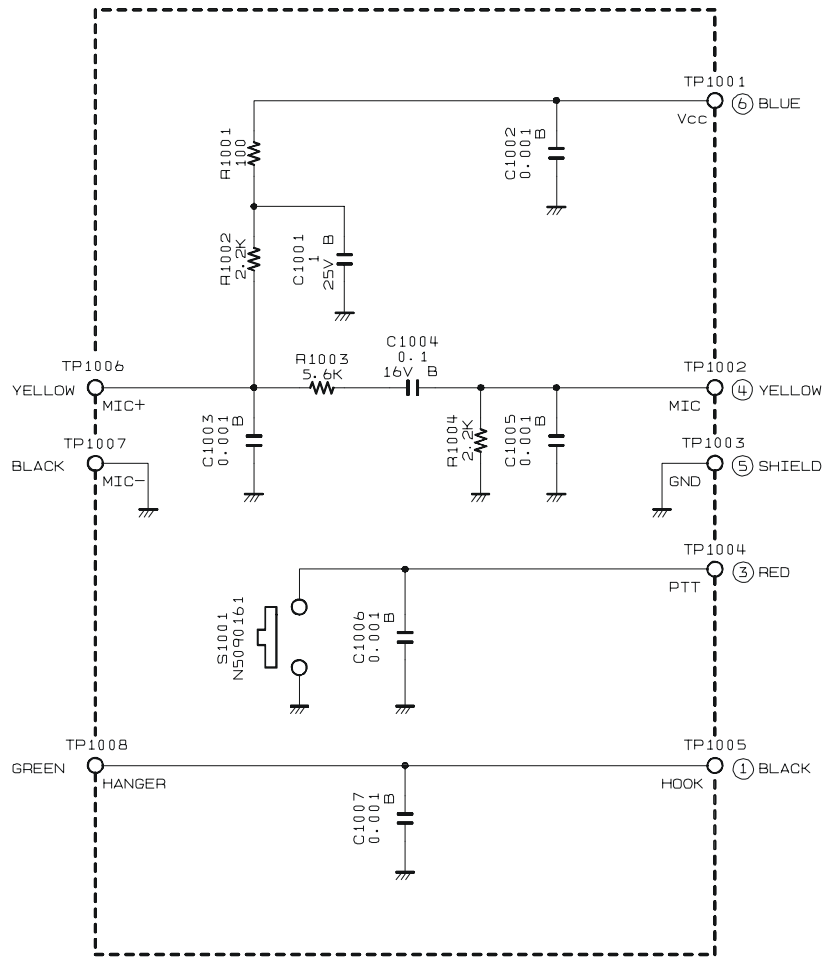


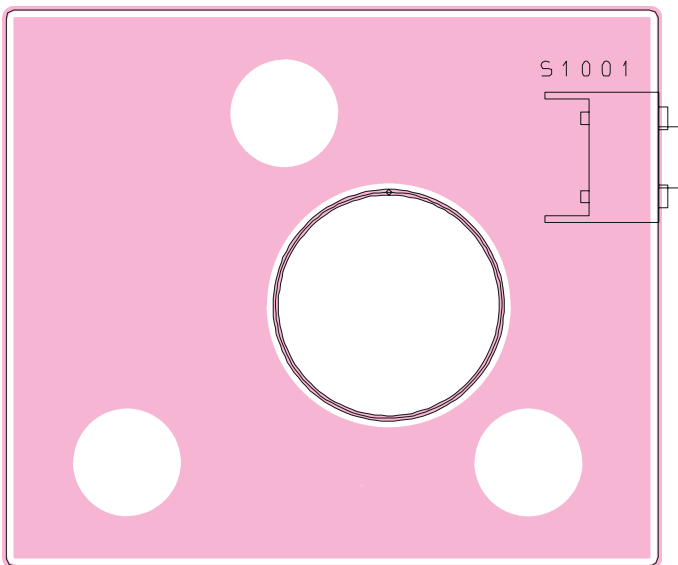
Exploded View & Miscellaneous Parts



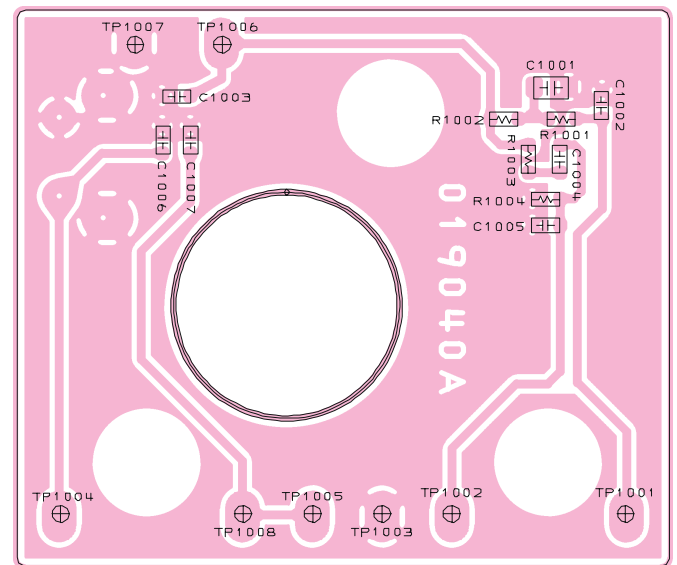
Circuit Diagram (Lot. 1 ~ 20)



Parts Layout (Lot. 1 ~ 20)

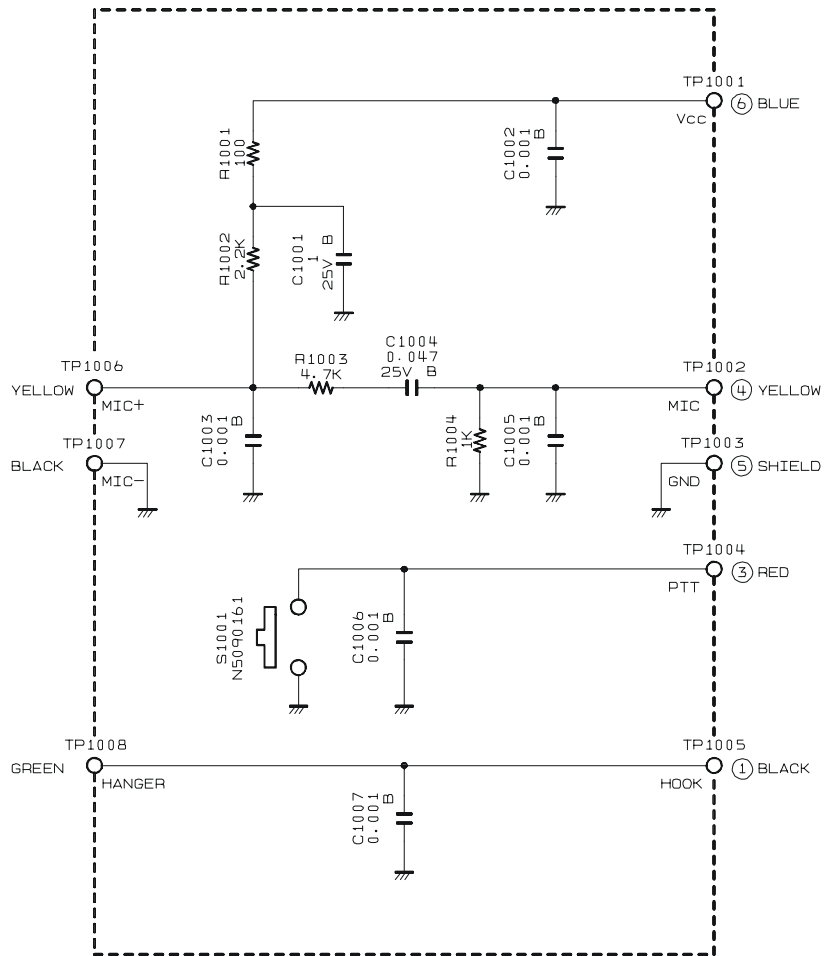


Side A

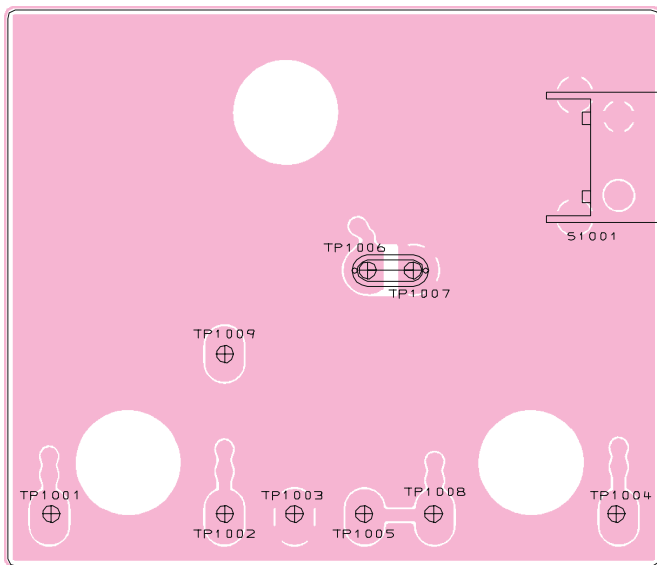


Side B

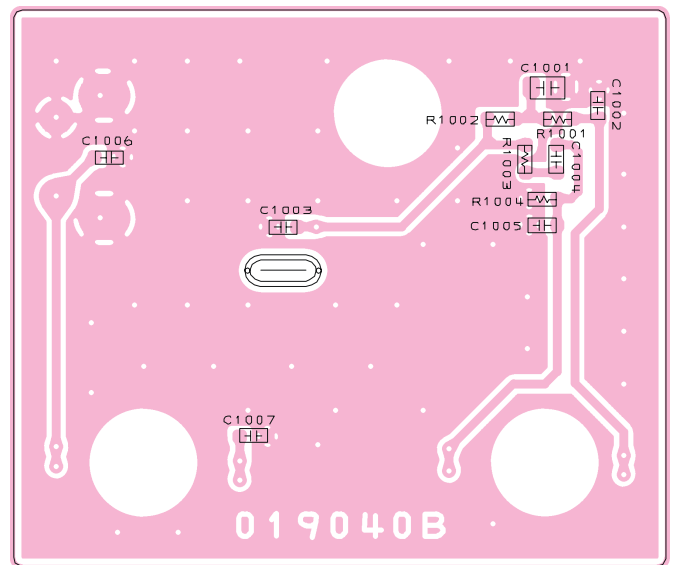
Circuit Diagram (Lot. 21 ~ 27)



Parts Layout (Lot. 21 ~ 27)

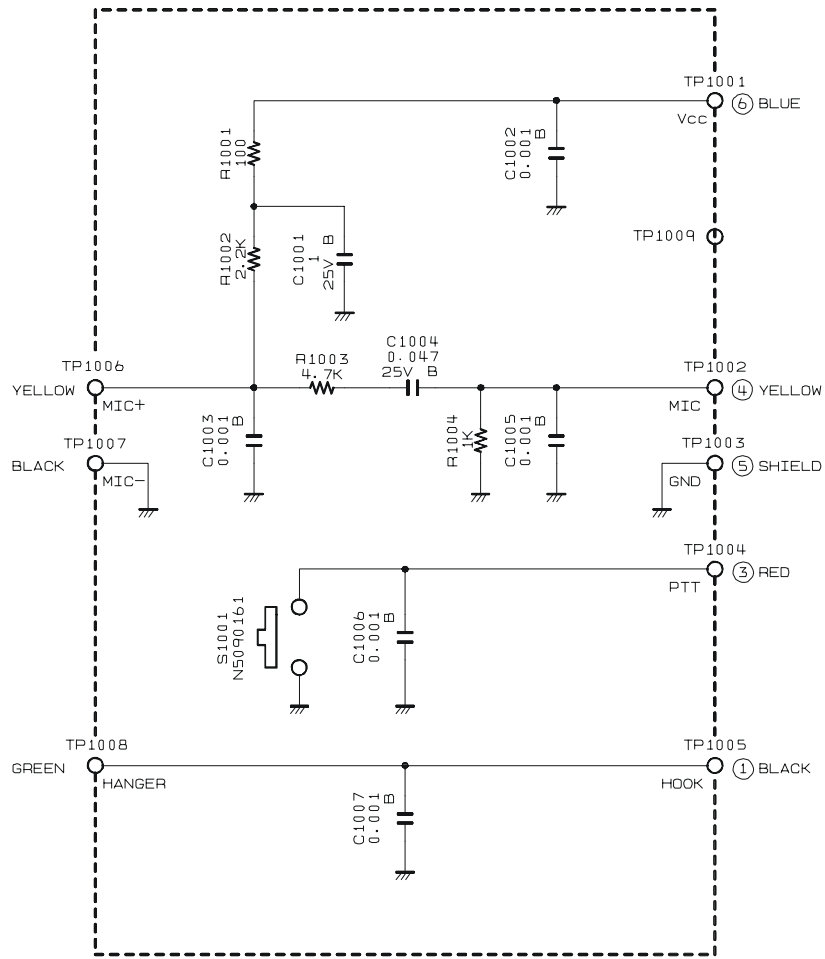


Side A

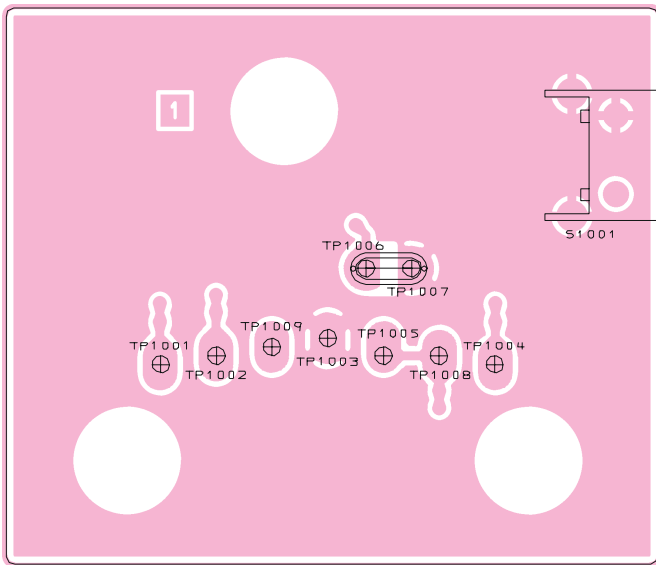


Side B

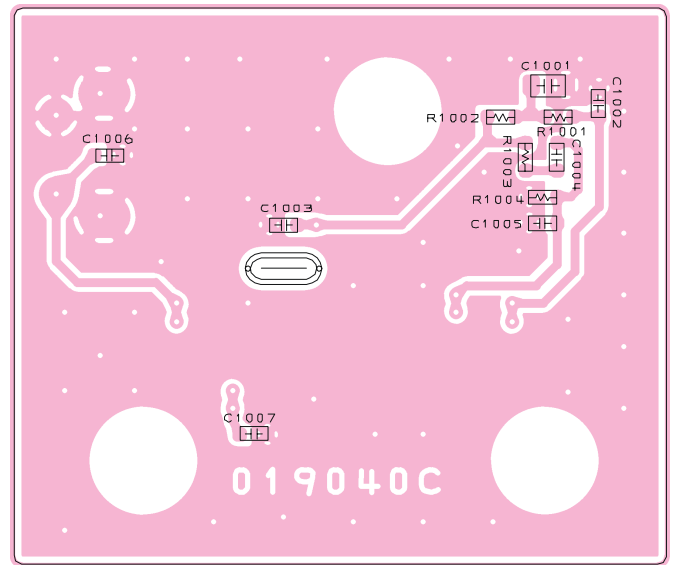
Circuit Diagram (Lot. 28 ~)



Parts Layout (Lot. 28 ~)



Side A



Side B

Parts List

REF.	DESCRIPTION	VALUE	V/W	TOL.	MFR'S DESIG	VXSTD P/N	VERS.	LOT.	SIDE	LAYADR
Printed Circuit Board					AAE60X000	FR019050A FR019050B FR019050C	1-20 21-27 28-			
C 1001	CHIP CAP.	1uF	25V	B	C2012JB1E105KT	K22140825		1-	B	
C 1002	CHIP CAP.	0.001uF	50V	B	GRM188B11H102KA01D	K22174821		1-	B	
C 1003	CHIP CAP.	0.001uF	50V	B	GRM188B11H102KA01D	K22174821		1-	B	
C 1004	CHIP CAP.	0.047uF	25V	B	GRM188B11E473KA01D	K22144811		1-	B	
C 1004	CHIP CAP.	0.1uF	16V	B	GRM188B11C104KA01D	K22124805		1-	B	
C 1005	CHIP CAP.	0.001uF	50V	B	GRM188B11H102KA01D	K22174821		1-	B	
C 1006	CHIP CAP.	0.001uF	50V	B	GRM188B11H102KA01D	K22174821		1-	B	
C 1007	CHIP CAP.	0.001uF	50V	B	GRM188B11H102KA01D	K22174821		1-	B	
R 1001	CHIP RES.	100	1/16W	5%	RMC1/16 101JATP	J24185101		1-	B	
R 1002	CHIP RES.	2.2k	1/16W	5%	RMC1/16 222JATP	J24185222		1-	B	
R 1003	CHIP RES.	4.7k	1/16W	5%	RMC1/16 472JATP	J24185472		1-	B	
R 1003	CHIP RES.	5.6k	1/16W	5%	RMC1/16 562JATP	J24185562		1-	B	
R 1004	CHIP RES.	2.2k	1/16W	5%	RMC1/16 222JATP	J24185222		1-	B	
R 1004	CHIP RES.	1k	1/16W	5%	RMC1/16 102JATP	J24185102		1-	B	
S 1001	TACT SWITCH				SKHHLVA010	N5090161		1-	A	



©2009 VERTEX STANDARD CO., LTD.
All rights reserved.

No portion of this manual
may be reproduced
without the permission of
VERTEX STANDARD CO., LTD.