



MOTOROLA
intelligence everywhere™

GKN6272

External Alarm Relay

GLN7282

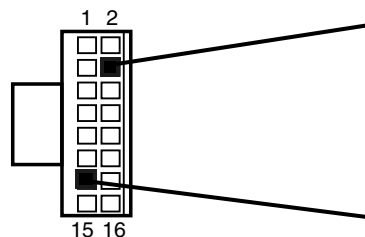
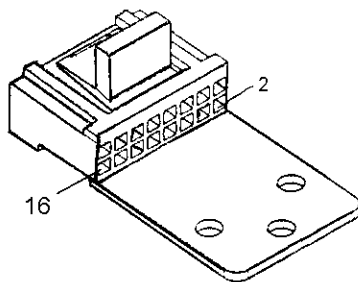
Buzzer

This user guide describes the installation of the **External Alarm Relay** and/or the **Buzzer** to the rear accessory connector on mobile radios.

The 16-pin connector block (Motorola part number: 1580922V01) plugs into the rear accessory connector on the back of the radio. Some models have a 20-pin rear accessory connector. In this scenario, plug the connector block into the center of the 20-pin rear accessory connector, leaving the outside four pins exposed.

Example:

Connectivity shown for MTM700



Pin	Function
1	Speaker -
2	Ext_Mic_Audio
3	External_PTT
4	External_Alarm
5	Tx_Audio
6	Keyfall
7	Ana_Ground
8	Digital_Ground
9	Emergency
10	Ignition
11	Rx_Audio
12	Audio_PA_Enable
13	Switched B +, max. 1A
14	Hook
15	SCI_DTR
16	Speaker +

Figure 1: 16-pin Accessory Connector Block



DO NOT short pin 16 or pin 1 on the accessory connector to ground; this may damage the radio.

The accessory connections shown are not compatible to some other models of Motorola radios. Check the appropriate accessory or technical manual for further information. Ensure correct position of the accessory connector.

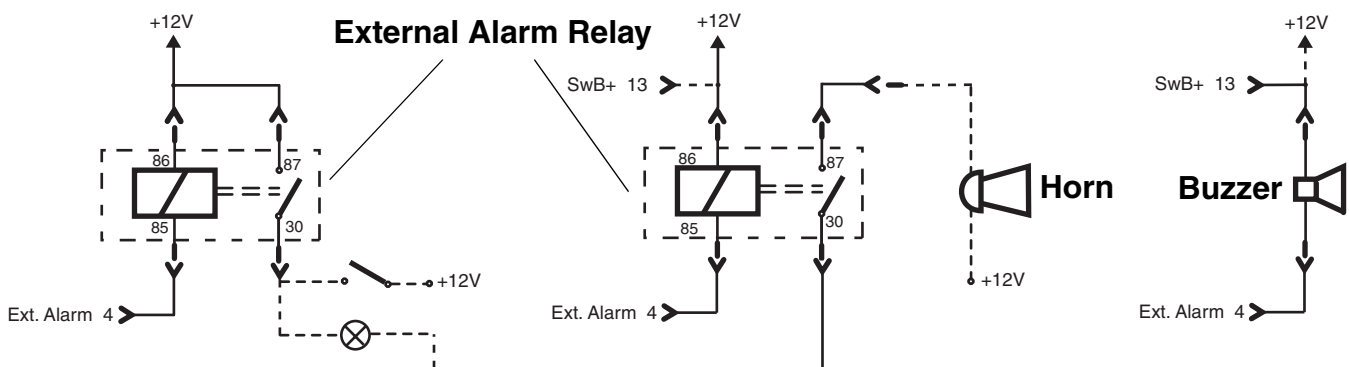


Figure 2: External Alarm Relay / Buzzer Connection Plan

Additional kits for reference:

Table 1: Accessory Connector Kit

GMBN1021	Accessory Connector Kit	
	Containing:	Qty
	Housing connector	1
	Terminal crimp contact	6
	Sealing rubber boot	1
	Strap tie	1
	Extraction tool	1

© 2001, 2002 by Motorola, Inc.
MOTOROLA and The Stylized M Logo are registered trademarks of Motorola, Inc.
All Rights Reserved

6866537D26B

