



**MOTOROLA**

**GMKN4067**



Programming Cable

**Accessories**

## GENERAL INFORMATION

The GMKN4067 Programming Cable provides a 4-wire RS232 interface (e.g. RxD, TxD, CTS,RTS) between a computer and a mobile radio when the radio is to be programmed or flashed.

## OPERATION

The radio's Basic Service Manual includes programming procedures. Refer to the relevant procedures for the radio being programmed and connect the radio to the computer as directed.



**Caution**

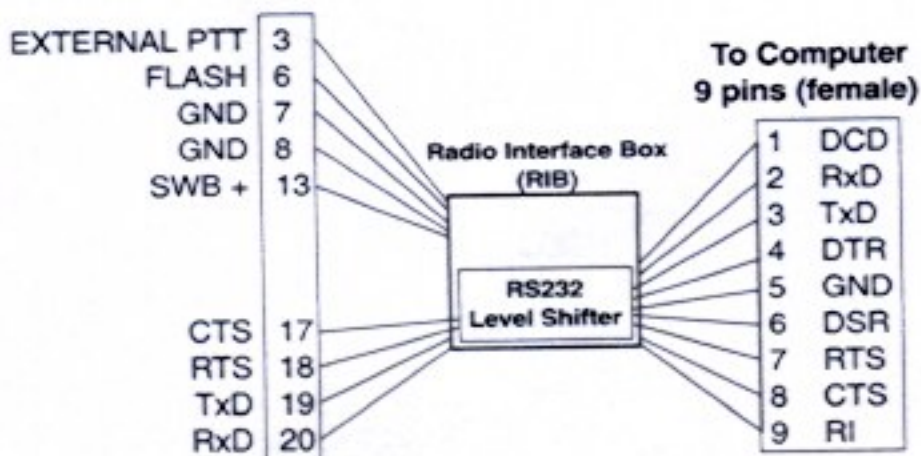
Do not disconnect the cable in the middle of a procedure. This may leave the radio incorrectly configured and degrade the radio performance.

## SERVICE

The GMKN4067 Programming Cable is not repairable. Order a replacement cable as necessary.

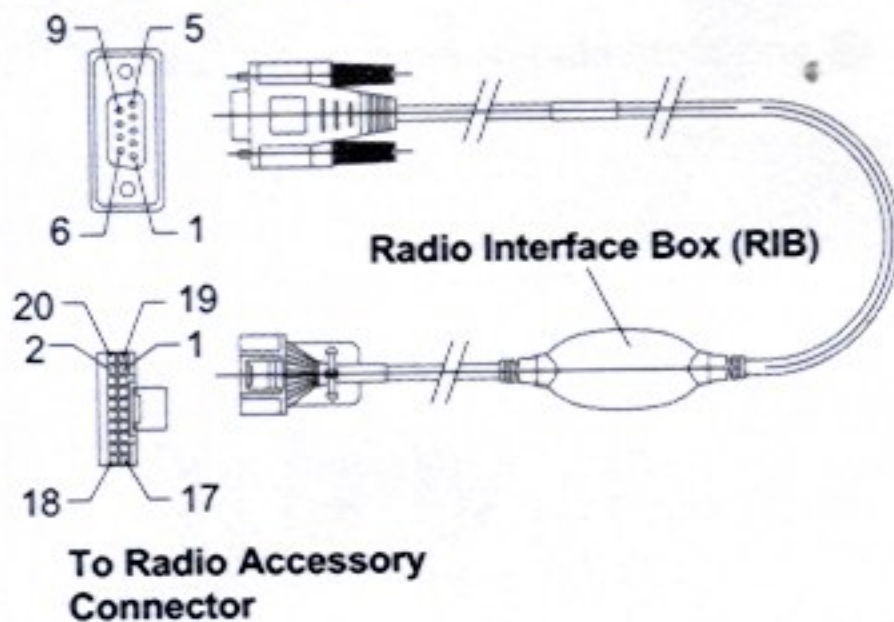
# CABLE CONNECTIVITY

To Radio Accessory Connector  
20 pins



## CONNECTOR DETAIL

To the computer



© 2001 by Motorola, Inc.

 and Motorola are registered trademarks of  
Motorola, Inc.  
All Rights Reserved

6866537D07

