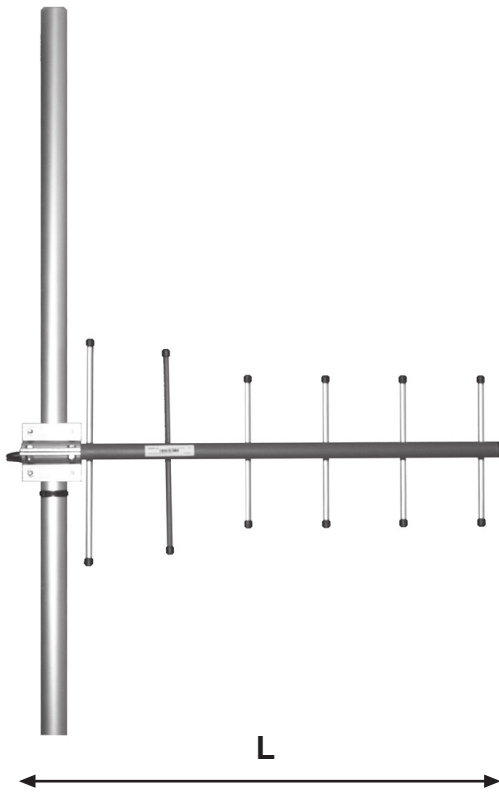


# ComAnt<sup>®</sup> Communications Antennas



## FREQUENCY INDEPENDENT DATA

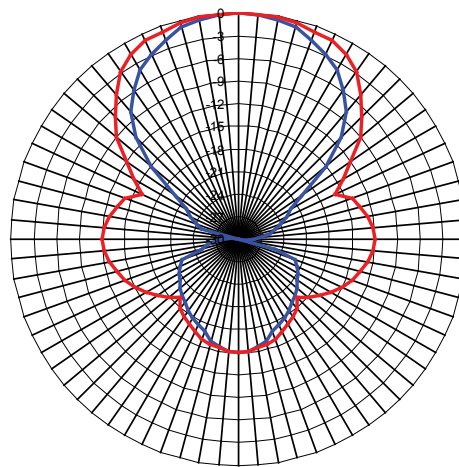
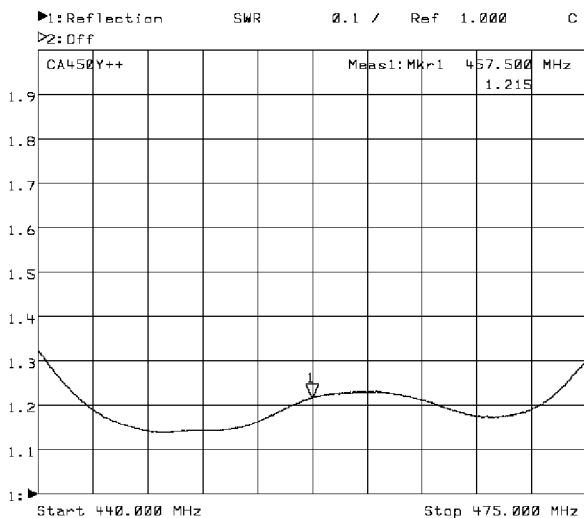
Description: directional yagi  
 Frequency: 380-410 MHz,

Impedance: 50 ohm  
 Gain: 10 dBi  
 Polarization: vertical/horizontal  
 Connector: N-female/TNC-female  
 VSWR: < 1.5  
 Radome: UV resistant ABS, RAL 7012,  
 PU foam filling  
 Radiator: copper

Passive elements: coated aluminium  
 Attachment:  $\varnothing$ 35-60 mm, aluminium alloy  
 bracket, stainless steel V-bolts and self locking nuts

Lightning protection: DC-short circuited  
 Temperature:  $-40^{\circ}$  -  $+80^{\circ}$ C  
 IP: 67

RADIATION PATTERN



— E dB — H dB

**CAY++ DIRECTIONAL YAGI**