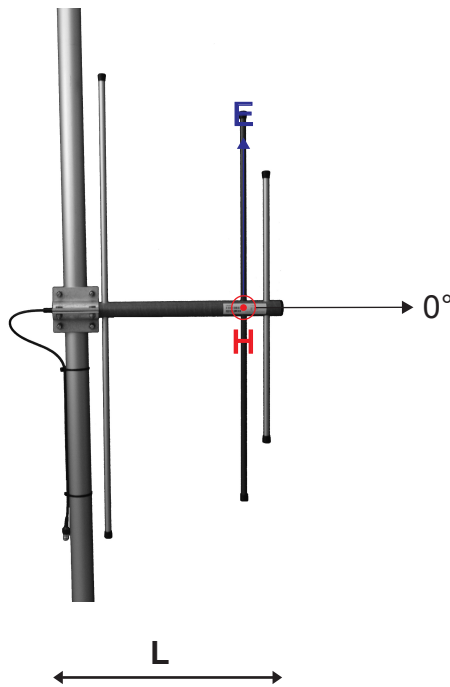


# ComAnt<sup>®</sup> Communications Antennas

## FREQUENCY INDEPENDENT DATA



Description:	directional yagi
Frequency:	174-240 MHz
Impedance:	50 ohm
Gain:	5 dBi
H -3 dB:	182°
E -3 dB:	76°
F/B:	9 dB
Polarization:	vertical/horizontal
Connector:	N-female
VSWR:	< 2.0
Radome:	UV resistant ABS/FG, RAL 7012, PU foam filling
Radiator:	copper
Passive elements:	coated aluminium
Attachment:	Ø 35-60 mm, aluminium alloy bracket, stainless steel V- bolts and self locking nuts
Lightning protection:	DC-short circuited
Temperature:	-40° - +80°C
IP:	67

**CADABY DIRECTIONAL YAGI**

