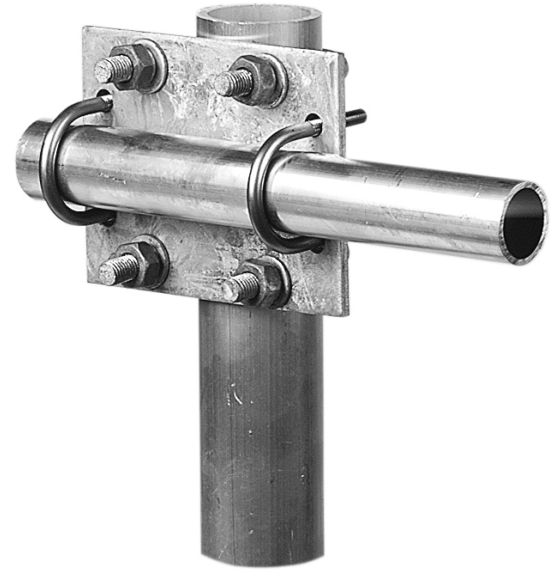


Galvanised crossover clamp 32/50mm

DESCRIPTION

Standard cross-over plate mounting clamp, hot dipped galvanised steel plate supplied with spun galvanised /stainless steel 'U' bolts.



ORDERING

Type	Product No.
Galvanised crossover clamp 32/50mm	COP54

SPECIFICATIONS

Mechanical	
Clamp Type	Cross clamp
Materials	Clamp body - galvanised steel fixings - stainless / galavnised steel
Tube 1 Size	32 mm / 1.26 in.
Tube 2 Size	50 mm / 1.97 in.

