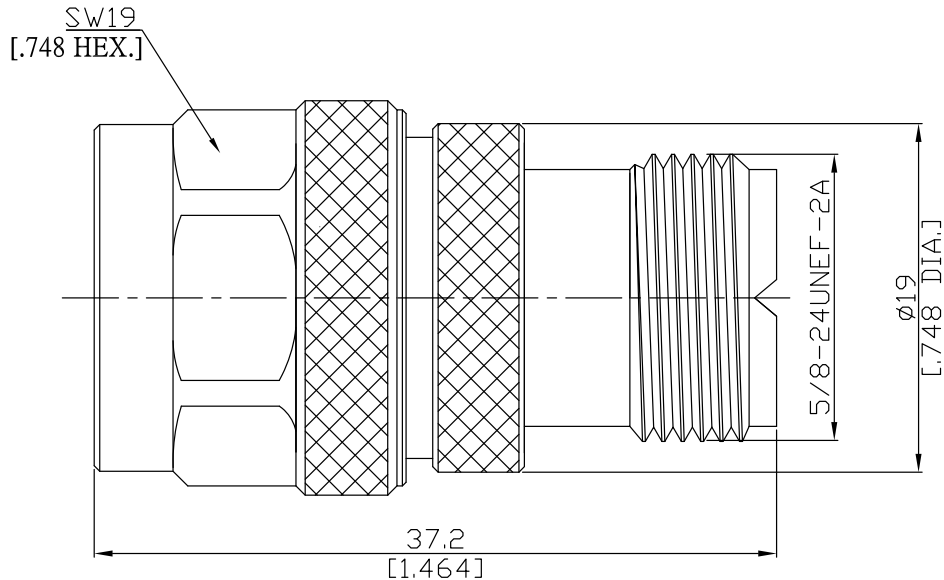




Adaptor plug/jack  
N plug (male) / UHF jack (female)

AD-N1U25A/144-94



All dimensions are in mm [inch]  
Tolerances according to DIN ISO 2768-mH

**Interface**

N side according to MIL-C-39012; MIL-STD-348A/304  
UHF side according to IEC 60169-12

**Electrical Data**

Impedance N (50 Ω); UHF (non-constant)  
Frequency DC to 300 MHz

**Mechanical Data**

Coupling mechanisms N (Screw-lock) ; UHF (Screw-lock)  
Weight 0.0371 kg

**Environmental Data**

Temperature range -55°C to +149°C  
RoHS compliant

**Material And Plating**

Piece Parts (N)	Material	Plating
Centre contact	Brass	Gold plating(Nickel underplated)
Body	Brass	Copper-Tin-Zinc Alloy
Insulator	PTFE	
Gasket	Silicone Rubber	
Coupling nut	Brass	Copper-Tin-Zinc Alloy
Piece Parts (UHF)	Material	Plating
Centre contact	Beryllium Copper	Gold plating(Nickel underplated)
Body	Brass	Copper-Tin-Zinc Alloy
Insulator	PTFE	

**Packing**

Single or 100