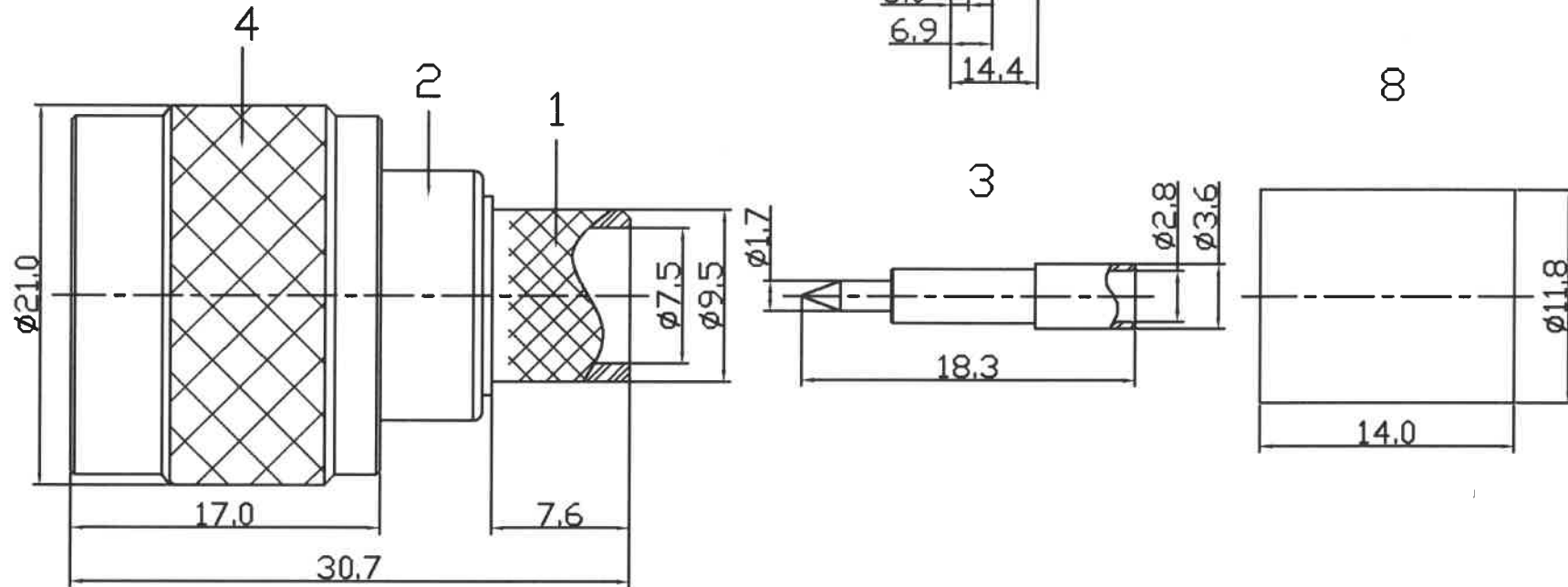


ROHS

ISO 9001
ISO 14001

8



8	FE-N11.8X14.0-189I	FERRULE/BRASS/NI	1
7	PP-015.6X1.5-537I	GASKET/SILICONE/DRANGE	1
6	WS-N17.0X3.0-059B	WASHER/BRASS/NI	1
5	BT-N11.0X10.3-098B	BODY/BRASS/ NI	1
4	SH-N21.0X17.0-104B	SHELL/BRASS/NI	1
3	PI-G3.6X18.3-395B	PIN/BRASS/GOLD	1
2	TM-W9.6X7.0-469	INSULATOR/PTFE/WHITE	1
1	TC-N16.0X21.5-310B	BODY/BRASS/NI	1
NO	DESCRIPTION	MATERIAL / FINISH	Q'TY

Material:		Treatment:			
Drawer	Design	Aprov	Tolerance	Unit: mm	
			X=±0.5	Ver: A	Scale 1:1
			.X=±0.2	File NO: QR0402	Title
			.XX=±0.1	Drawing NO	N M LMR 400
			.XXX=±0.05	Drawing NO	606-024-101

Part NO	CR-NMQLMR400-688D
---------	-------------------