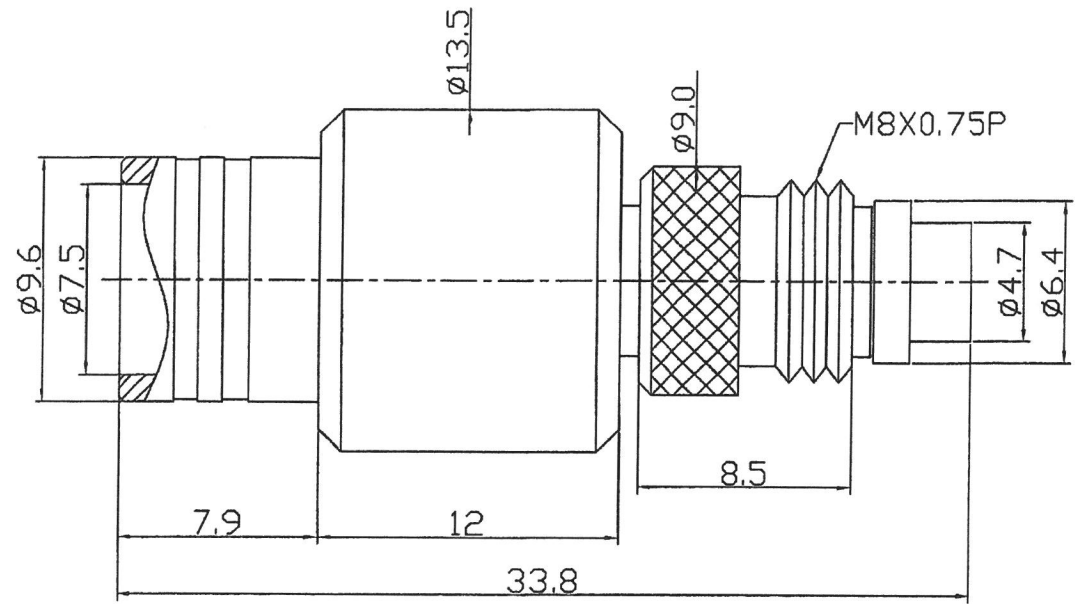
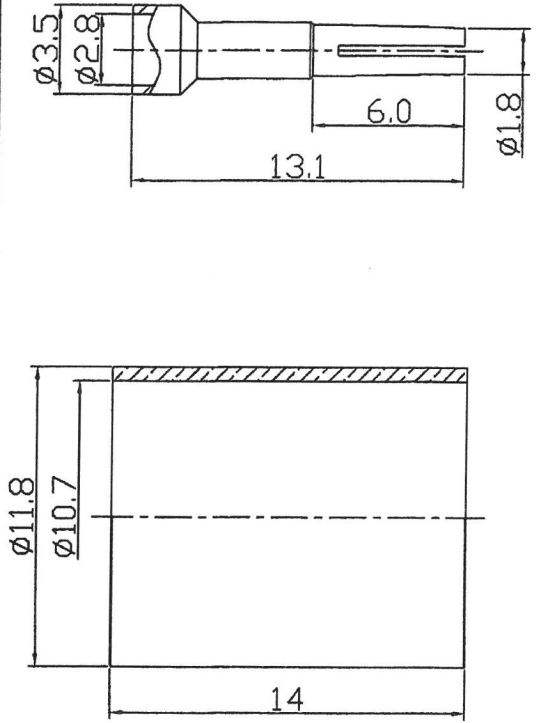


ROHS

ISO 9001
ISO 14001



Material:		Treatment:					
Drawer	Design	Apprx	Tolerance	Unit: mm		TITLE	FME F CFD-400
			X=±0.5	Ver: A	Scale 4:1	Model NO	
			X=±0.2	File NO: QR0402		Drawing NO	601-1-002-006-101
			XX=±0.1				
			.XXX=±0.05				

Part NO CR-FMEFCFD400-173A/B/D