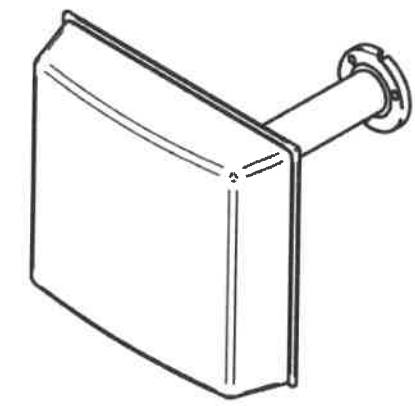
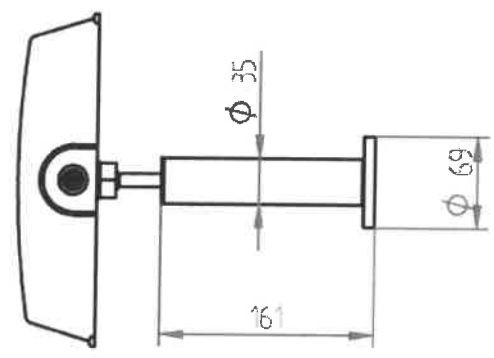
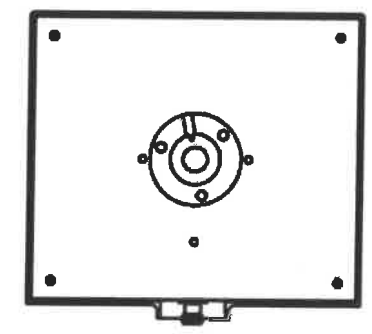
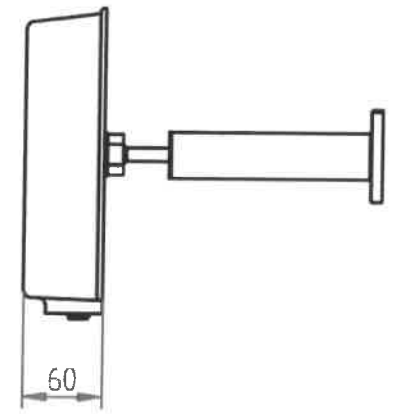
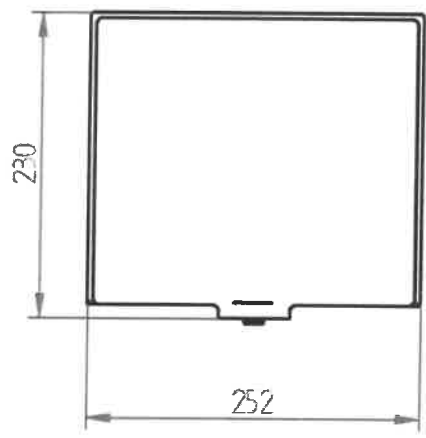


**ROHS**

ISO 9001  
ISO 14001



					Material:	Treatment:							
NO		DESCRIPTION	MATERIAL	FINISH	Q'TY	Drawer	Design	Aprov	Tolerance	Unit: mm		TITLE	PANEL ANT
Part NO									X=±0.5 .X=±0.2 .XX=±0.1 .XXX=±0.05	Ver: A	Scale 1:5	Model NO	
										File NO: QR0402		Drawing NO	PANEL-002.dft