

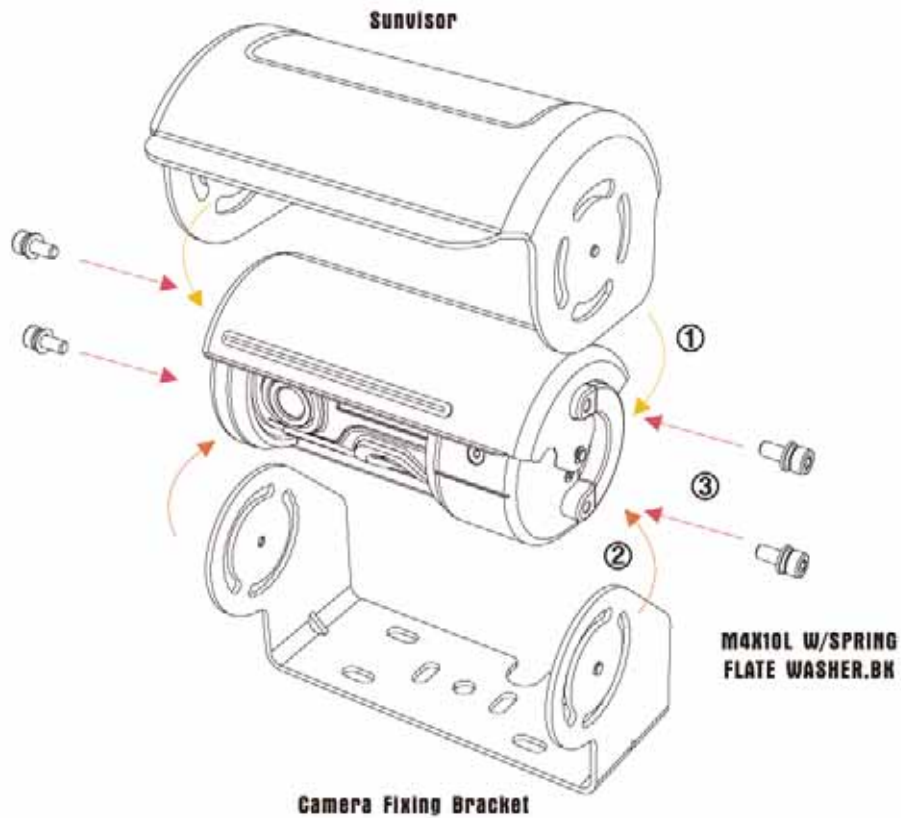
## Specifications

|                       |  |
|-----------------------|--|
| Power Input           | DC 12V   |
| Power Consumption     | Max 5Watt  |
| Image Device          | 1/3" SONY Super HAD II CCD image sensor  |
| Scanning system       | NTSC / PAL   |
| Sync. system          | Internal   |
| Picture Element       | PAL:320,000 Pixels   |
| Electronic Shutter    | Built-in   |
| Horizontal Resolution | More than 330 TV Lines.  |
| Angel of view         | CA1: Diagonal: 150°, Horizontal : 120°, Vertical : 90°<br>CA2: Diagonal: 40°, Horizontal : 32°, Vertical : 24°<br>(Optional Different Lens Available.) |
| Mini. Illumination    | 0 Lux.(IR LED ON) W/ 4 IR LED ,CDS (CAM1)  |
| S/N Ratio             | Better than 50dB (at AGC off)  |
| Audio                 | Built -In Condenser Mic.   |
| Connector. (6P DIN)   | 1: Video Output1 2: Audio Output 3: Power Input DC 12V<br>4: Video Output2 5: Control Signal 6: Ground   |
| Case Material         | Window : Curved Glass<br>Body : Aluminum   |
| Ambient Condition     | Indoor / Out door Use .  |
| Vibration             | 6 G  |
| Impact                | 100 G  |
| I.P Factor            | I.P 68(W/Mic.),I.P 69K(W/O Mic.)   |
| Operating temp.       | -30°C~80°C(-22°F ~ 176°F)  |
| Dimension             | 114(W) x 57(H) x 59(D)mm   |
| Weight                | Approx. 650g   |
| Supplied Acc'y        | ※ Camera Fixing Bracket (1) ※ Instruction Manual. (1)<br>※ Screw Kits (1) ※ Sunvisor (1)<br>※ Window cleaner (2)                                       |

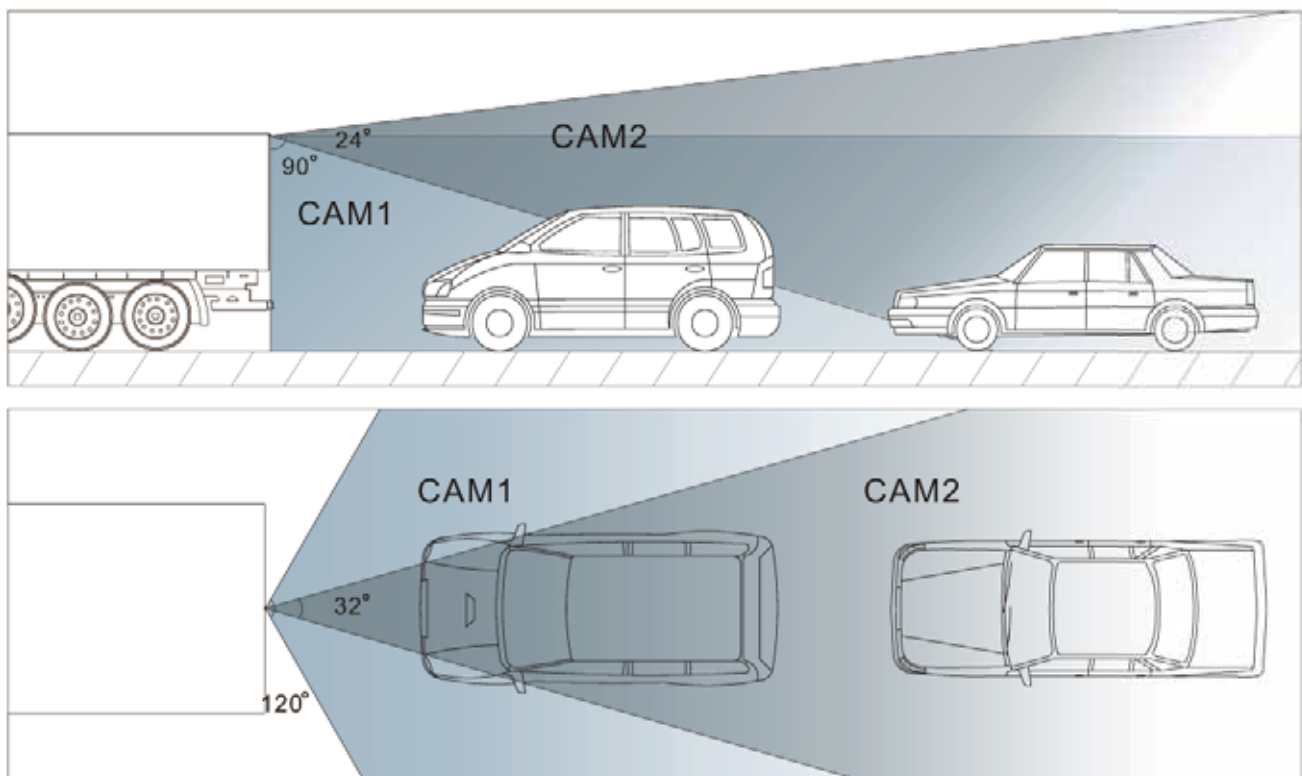
**MXN94C**



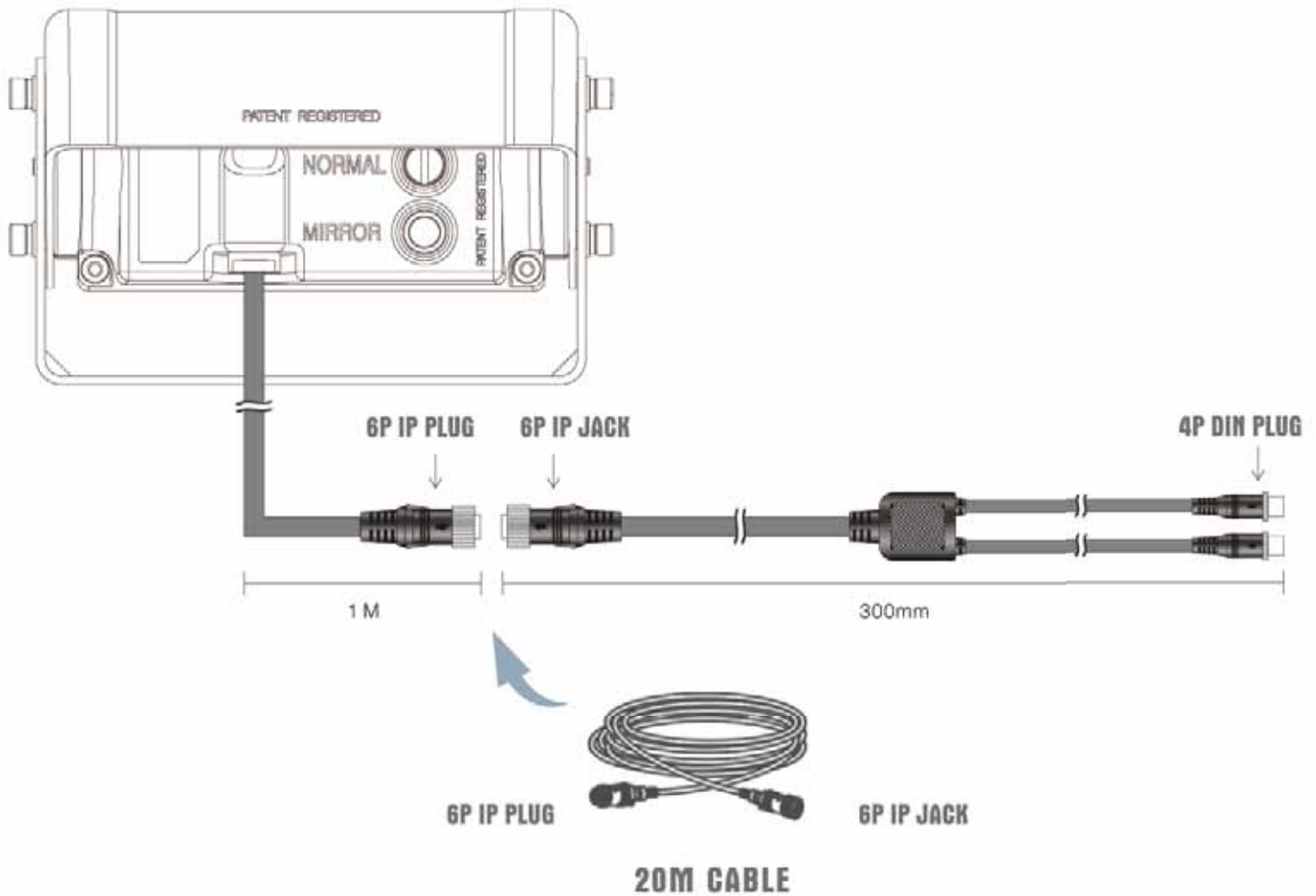
## Installation



## Angel of view

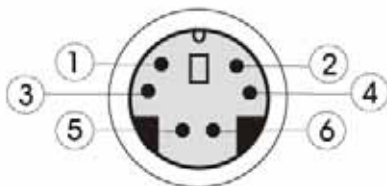


## Connection



Camera Input connector pin description.

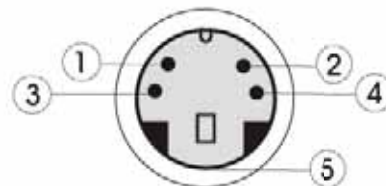
### 6P IP CONNECTER



| Pin No. | Description |
|---------|-------------|
| 1       | Shutter     |
| 2       | Audio       |
| 3       | Video 1     |
| 4       | Ground      |
| 5       | Video 2     |
| 6       | Power       |

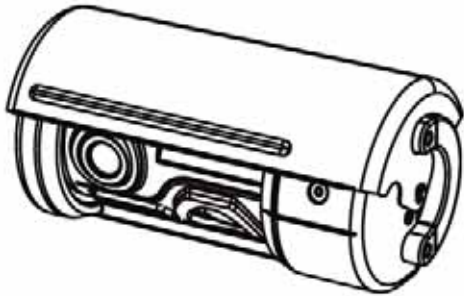
Camera Input connector pin description.

### 4P DIN CONNECTER

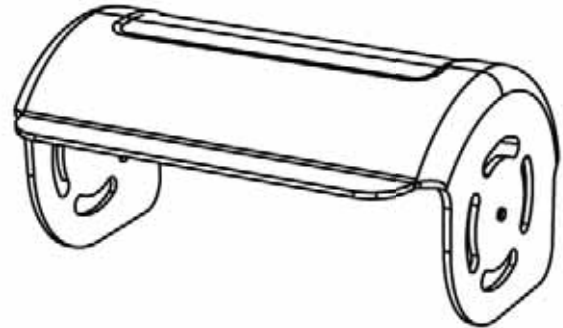


| Pin No. | Description      |
|---------|------------------|
| 1       | Shutter          |
| 2       | Audio            |
| 3       | Video 1, Video 2 |
| 4       | Power            |
| 5       | Ground           |

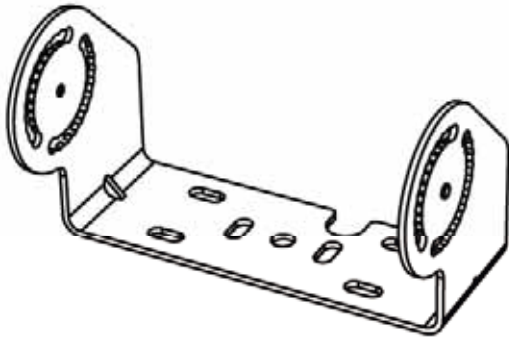
**Composition**



**Twin Camera**



**Sunvisor**



**Camera Fixing Bracket**



**L-Rench**



**Wiper Rubber**



**T/H M5X16L STAINLESS.BK**



**P/H W/WASHER  
T5X16L STAINLESS.BK**



**M4X10L W/SPRING  
FLATE WASHER.BK**