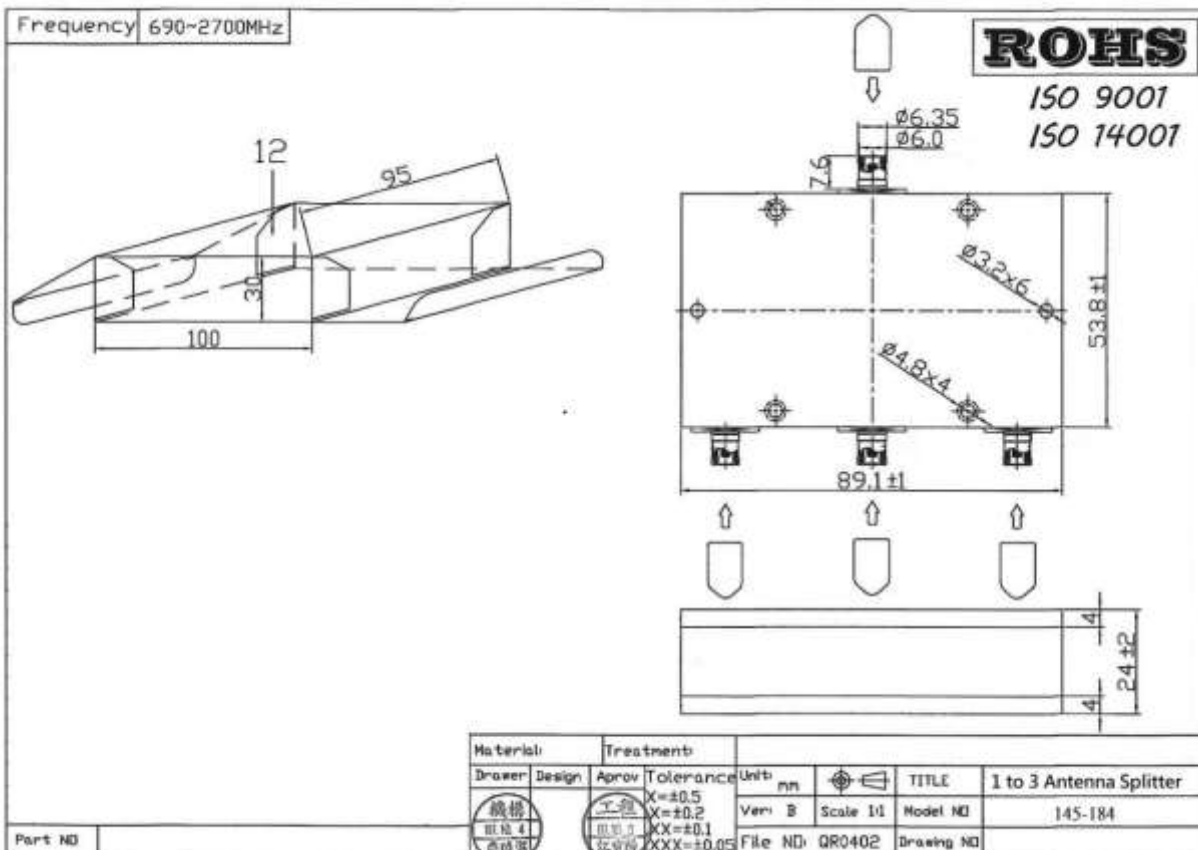


## Specification

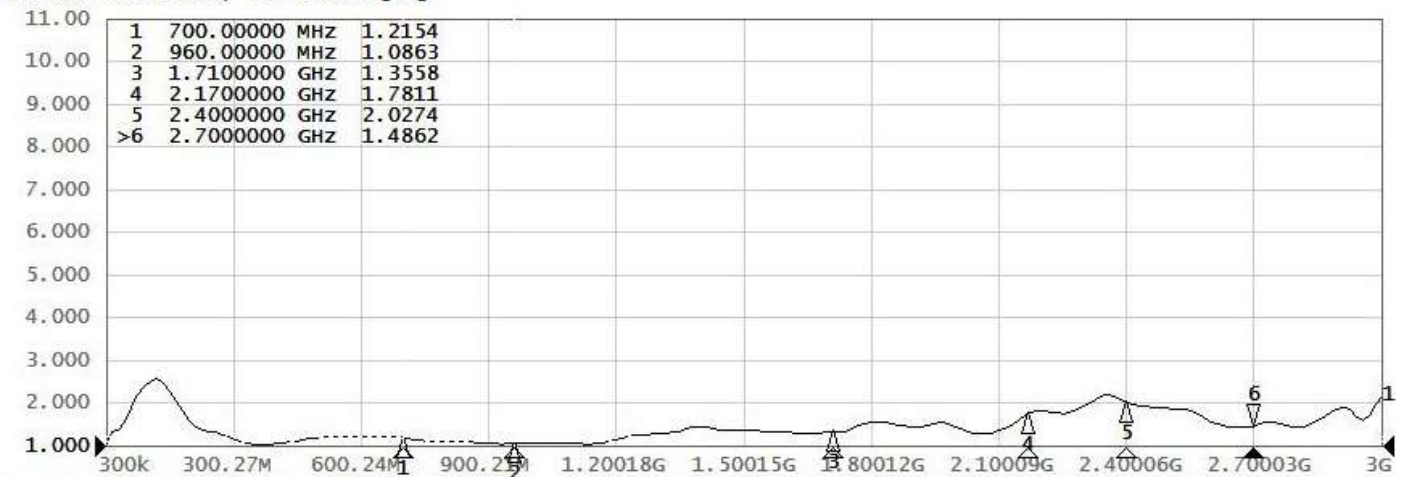
1. Product Type: 1to3 Splitter
  2. Part No: 145-184
  3. Frequency: 690~2700 MHz
  4. Impedance: 50ohm
  5. VSWR: 2.0:1
  6. Connector: SMB M F Pin
  7. Power: 40 watts
- ✳️RoHS Compliant



Frequency (MHz)	Insertion Loss (dB)	VSWR
700	-6.17	1.21
960	-6.62	1.08
1710	-6.67	1.35
2170	-7.74	1.78
2400	-10.35	2.02
2700	-6.17	1.48

## Test Report (Insertion Loss & VSWR)

Tr1 S11 SWR 1.000/ Ref 1.000 [F2]



Tr2 S21 Log Mag 10.00dB/ Ref 0.000dB [F2]

